

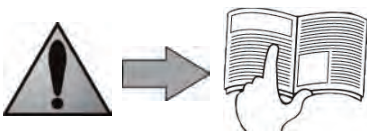
# Polaris® 3900 SPORT



Instructions for installation and use  
English

EN

More languages on:  
[www.zodiac-poolcare.com](http://www.zodiac-poolcare.com)



TL-876 Rev B - 2012/12

## Important Information

- Before installing the cleaner, make sure the pool filter is clean.
- New plumbing lines should be flushed out before installing the cleaner.
- The Polaris® should not be used to remove plaster dust in new pools.
- Except when checking the wheel RPM, do not handle the Polaris® while it is operating.
- Always remove the cleaner **before swimmers enter the pool**.
- Disconnect the cleaner before cleaning or backwashing the pool filter. After cleaning, let the filtration system run for at least five minutes before re-connecting the cleaner.
- Always remove the Polaris® from the pool before chemical shock treatments.

EN

### CAUTION: USE OF THE POLARIS® IN A VINYL LINER POOL

Certain vinyl liner patterns are particularly susceptible to rapid surface wear or pattern removal caused by objects coming into contact with the vinyl surface, including pool brushes, pool toys, floats, fountains, chlorine dispensers, and automatic pool cleaners. Some vinyl liner patterns can be seriously scratched or abraded simply by rubbing the surface with a pool brush. Ink from the pattern can also rub off during the installation process or when it comes into contact with objects in the pool. Zodiac Pool Systems, Inc. is not responsible for, and the Limited Warranty does not cover, pattern removal, abrasion or markings on vinyl liners.

## Introduction

Congratulations on the purchase of your new automatic pool cleaner, and thank you for choosing Polaris®. The Polaris® 3900 Sport is designed to give you years of dependable and efficient service.

Like most mechanical devices, it will require periodic adjustments, routine maintenance, and the replacement of certain hardworking parts. Please have your cleaner checked occasionally by your local Polaris® dealer or authorized service center.

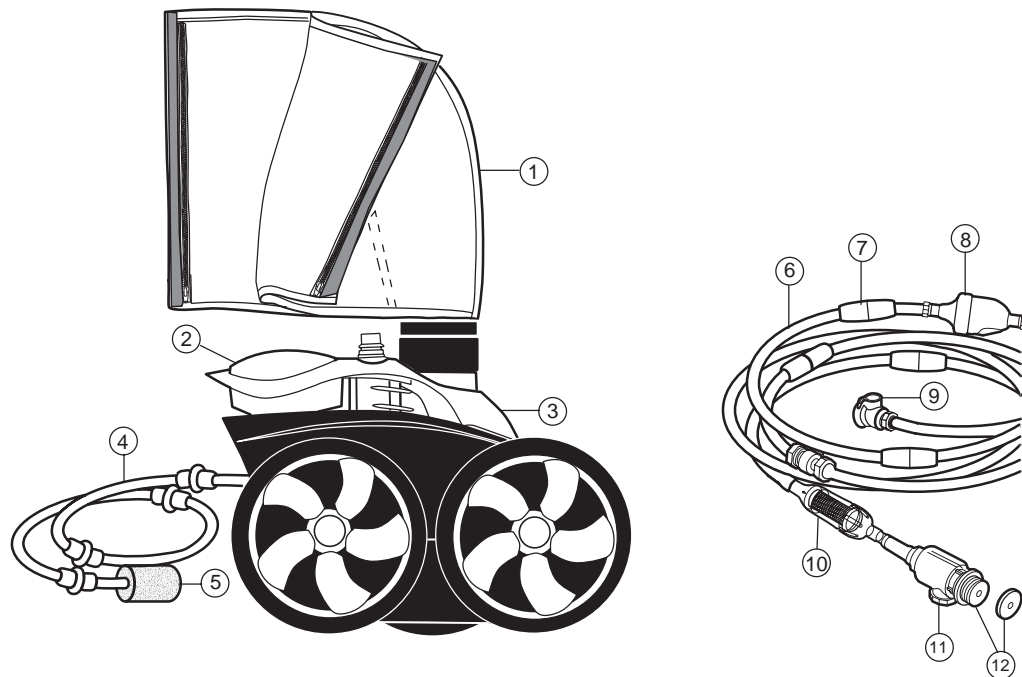
Always insist on genuine Polaris® replacement parts. Non-Polaris® parts are not made to our specifications. They may have an adverse effect on the operation of your Polaris®, or may even damage it.

For best results, the cleaner should be installed by a pool professional. For those with experience and confidence in handling plumbing and mechanical equipment, installation is outlined in this manual.

EN

### Polaris® 3900 Sport Components

1. SuperBag, (Double) All-Purpose Zippered Bag
2. Float
3. Cleaner body
4. Sweep Hose
5. Tail Sweep Pro
6. Feed Hose
7. Hose Floats
8. Back-up Valve
9. Feed Hose Connector
10. In-Line Filter with Filter Screen
11. Quick Disconnect with Universal Wall Fitting
12. UWF Restrictor Disks, Red and Blue



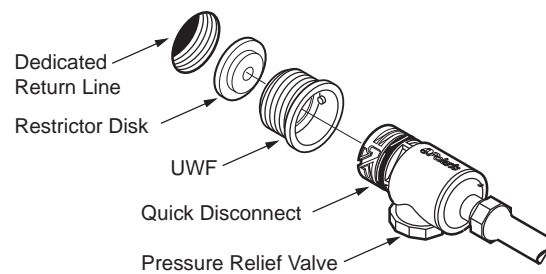
## Quick Installation Instructions

# 1

### Install the Universal Wall Fitting

Installs in minutes on pools with a dedicated cleaner return line.

1. Turn on the filtration pump and flush out the plumbing line. Turn pump off.
2. Remove the Universal Wall Fitting (UWF) from the Quick Disconnect and screw it into the return opening with the blue restrictor disk in place.
3. Turn the Quick Disconnect clockwise into the UWF and pull away to secure.



EN

# 2

### Adjust Feed Hose To Fit Pool Length

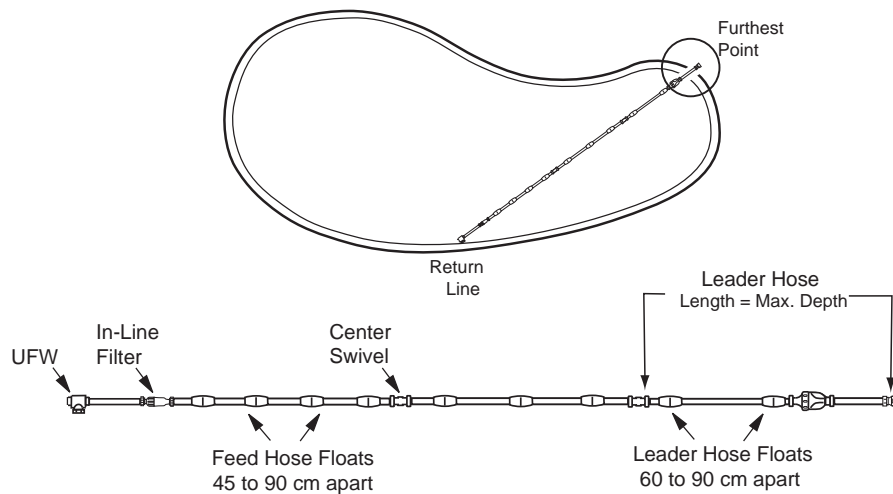
1. Measure the deepest part of the pool. Cut leader hose, from end that attaches to feed hose, so length is equal to the greatest depth of the pool.
2. Attach leader hose to feed hose and connect hose to the pool wall at the return line. Extend hose to farthest point of pool. The hose end must be within 15 cm longer or shorter – of the farthest point. See diagram below.

**If hose is too long:** Separate hose at center swivel. Cut equal amounts of the overage from feed hose section.

**If hose is too short:** Add a feed hose section, a swivel and two hose nuts. Adjust to proper length.

Each feed hose section should be equal in length after adjustments.

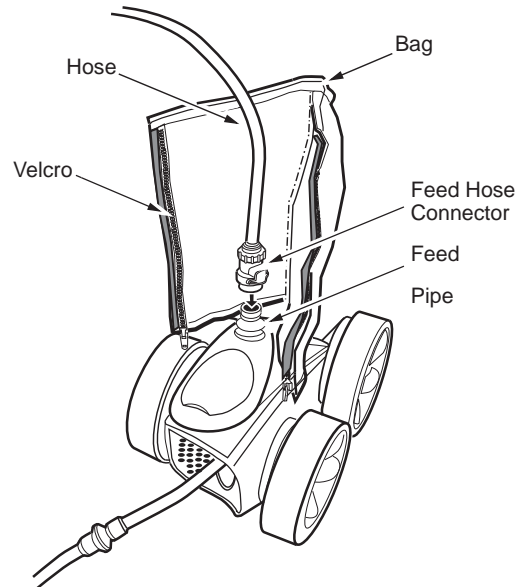
3. After adjusting the length, position the hose floats as shown.



# 3

## Assemble the Cleaner

1. Attach the feed hose connector to the feed pipe by pressing it down firmly until it locks.
2. The filter bag is packaged in the collar area on the vacuum tube. Pull out bag. Wrap bag around hose and secure with Velcro strips.
3. Turn on the pool filtration pump and allow it to prime before turning on the booster pump.



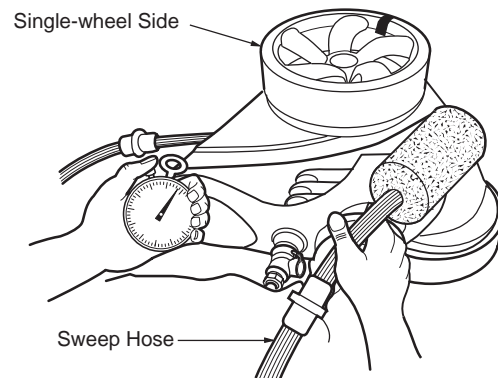
# 4

## Check for Proper RPM

Before operating the Polaris®, check for proper wheel revolutions per minute (RPM). For maximum efficiency, the cleaner should operate **between 32 and 34 RPM**.

1. Mark the single-wheel side tire.
2. Turn pump on, hold cleaner below water level and count wheel revolutions for one minute.

If count is not in target range, refer to **Adjusting the Wheel RPM** in the Troubleshooting section for more information.



## Adjusting the wheel RPM: If count is less than 32 RPM:

- If an adjustable valve is installed on the cleaner line, open it completely so water can flow freely to the Polaris®.
- Check the filter screen in the in-line filter for debris that restricts water flow.
- Clean the skimmer, filter and pump basket, clearing debris that restricts water flow.
- Check the hoses, connections and swivels for leaks that cause loss of water pressure.
- Remove the blue restrictor disk from the UWF.

If count is **more than 34 RPM**:

- Replace the blue restrictor disk in the UWF with the red restrictor.
- **If the flow is still too high, unscrew the pressure relief valve until the proper RPM is reached.**  
**Note:**The pressure relief valve should only be adjusted when a restrictor is installed.

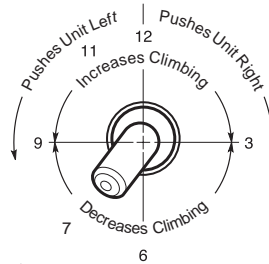
EN

## Fine Tuning The Cleaner

When operating correctly, the cleaner vacuums, sweeps and scrubs all surfaces randomly throughout the pool. Approximately every three minutes the cleaner goes into back-up mode. This action pulls the cleaner away from pool obstacles and increases its random pattern.

### Thrust Jet Adjustment

The thrust jet powers the direction of the cleaner. Factory position is seven o'clock but, depending on the pool, other settings can be helpful to improve cleaner coverage.

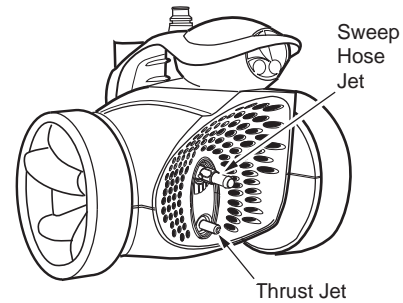


### Sweep Hose Adjustment

The sweep hose should move in a gentle sweeping motion. To adjust the motion, turn off the booster pump and turn the sweep jet clockwise to increase or counter-clockwise to decrease the movement.



Adjusting the sweep hose



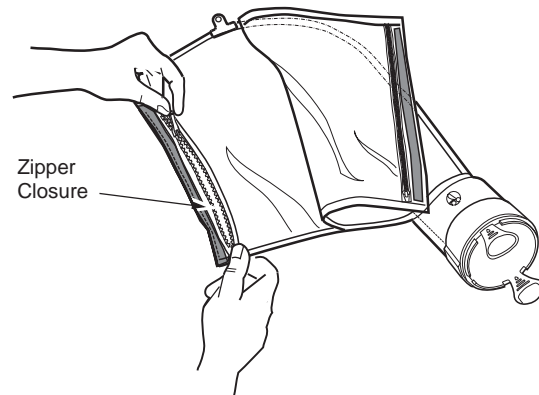
EN

## Routine Maintenance

### Cleaning the Bag

Detach the Velcro strips. Twist the bag collar and pull up to free the bag from the cleaner. Unzip both sides of the bag to remove the debris.

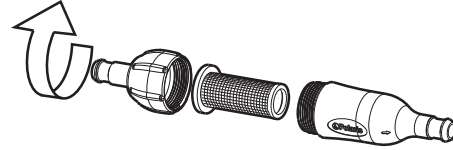
- Empty the filter bag when it is half full, especially if the debris load is sand.
- It is easier to empty the filter bag when it is dry. Alternate between two bags.



## Cleaning the Filters

Always disconnect the Polaris® before cleaning or backwashing the pool filter, and let the filtration system run for at least five minutes before re-connecting the cleaner.

To clean the in-line filter screen, pull it out of the filter assembly, rinse it and press it firmly back into place.



## Storage and Winterizing

Never store the cleaner in direct sunlight.

When storing for the winter, drain all the water from the cleaner (freeze damage is not covered under the warranty). Use the Quick Disconnect to remove the UWF from the pool wall. If necessary, use the UWF Removal Tool available from any authorized Polaris® dealer.

EN

**CAUTION:** in order to prevent damage to the cleaner while it is stored during winter months, it is important to drain all the water from the cleaner.

## Troubleshooting

If the cleaner regularly displays any of the following actions, adjustments may be necessary to restore performance. Refer to the exploded parts diagram for part references.

**Action: Cleaner hangs up on steps or other obstacles for longer than 3 minutes.**

- Solution:
1. Check the wheel RPM.
  2. Verify the back-up valve is cycling. Lift the valve out of the water and watch the jet. It should come on and go off.
  3. Adjust the thrust jet.
  4. Remove unnecessary pool hardware or install a Ladder Guard Kit.

**Action: Cleaner is sluggish, running with less power than normal.**

- Solution:
1. Check the filter screen in the in-line filter assembly and clean if necessary.
  2. Clean the skimmer basket, pump basket, and pool filter.
  3. Check the hoses, hose connections, and swivels for leaks that could cause loss of water pressure.
  4. Check the wheel RPM. If below 32 RPM, see **Adjusting the Wheel RPM** to increase flow to cleaner.

**Action: Cleaner races around the pool and/or does not make contact with the pool bottom.**

- Solution:
1. Check the wheel RPM. If more than 34 RPM, see **Adjusting the Wheel RPM** to reduce flow.
  2. Verify the back-up valve is cycling. Lift the valve out of the water and watch the jet. It should come on and go off.

**Action: Cleaner doesn't back up.**

- Solution:
1. Verify the back-up valve is cycling. Lift the valve out of the water and watch the jet. It should come on and go off.
  2. Check the wheel RPM. If not in 32-34 RPM range, see **Adjusting the Wheel RPM**.
  3. If the filter bag is full, empty or replace it.
  4. Make sure feed hose is floating.

**Action: Cleaner only turns in one direction.**

- Solution:
1. Adjust the thrust jet.
  2. Make sure feed hose is floating.

**Action: Feed hose becomes tangled.**

- Solution:
1. Remeasure the hose to verify that it is adjusted to the proper length for the pool.
  2. With the cleaner operating, check that the swivels and hose connections turn freely.
  3. Make sure the feed hose is floating.
  4. With the Polaris® operating, hold the cleaner under water and verify that all three wheels are turning together.



**Action: The front end of the cleaner lifts all the time.**

- Solution:
1. Check the wheel RPM.  
If not in 32-34 RPM range, see ***Adjusting the Wheel RPM.***
  2. Adjust the thrust jet downward.
  3. Verify the back-up valve is cycling. Lift the valve out of the water and watch the jet.  
It should come on and go off.
  4. Check for water inside the cleaner float.

**Action: Sweep hose is sucked into the vacuum tube.**

- Solution:
1. Make sure the opening at the end of the sweep hose is not blocked by the sweep hose scrubber. Replace scrubber if it is worn or missing.
  2. Adjust the sweep hose to a gentle sweeping motion.
  3. Check the wheel RPM. If more than 34 RPM, see ***Adjusting the Wheel RPM*** to reduce flow.
  4. Add a sweep hose weight.

**Action: The cleaner does not clean the entire pool.**

- Solution:
1. Verify that feed hose reaches within 15 cm of the farthest point of the pool. If not, order a new hose section from your Polaris® dealer.
  2. Adjust thrust jet to improve coverage.

**Action: The cleaner is running in circles on its side.**

- Solution:
1. Check for water inside the cleaner float.
  2. Check the filter bag, if full it can weigh the cleaner down on one side.
  3. Check the hose floats to make sure they are spaced evenly.
  4. Check the wheel RPM. If more than 34 RPM, make adjustments to reduce flow.

EN



[www.zodiac-poolcare.com](http://www.zodiac-poolcare.com)

Pour plus de renseignements, merci de contacter votre revendeur.  
For further information, please contact your retailer.

ZODIAC® is a registered trademark of Zodiac International, S.A.S.U., used under license.

Votre revendeur / your retailer